

FIG.8. SKETCH OF GRATE BARS

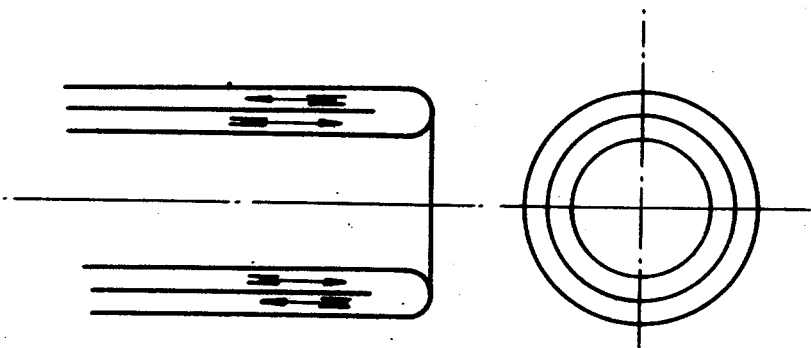


FIG.10A. DESIGN OF WATER COOLED NOZZLE

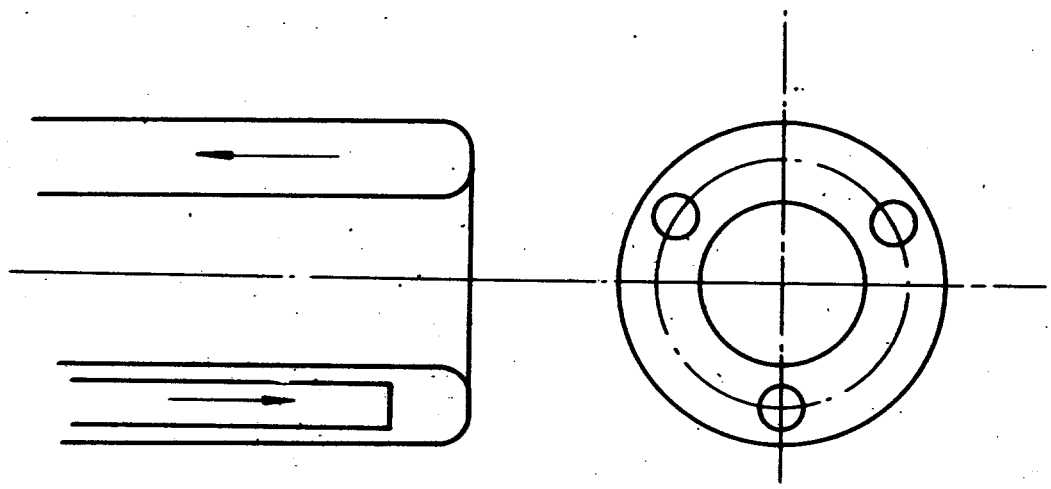


FIG.10B. DESIGN OF WATER COOLED NOZZLE