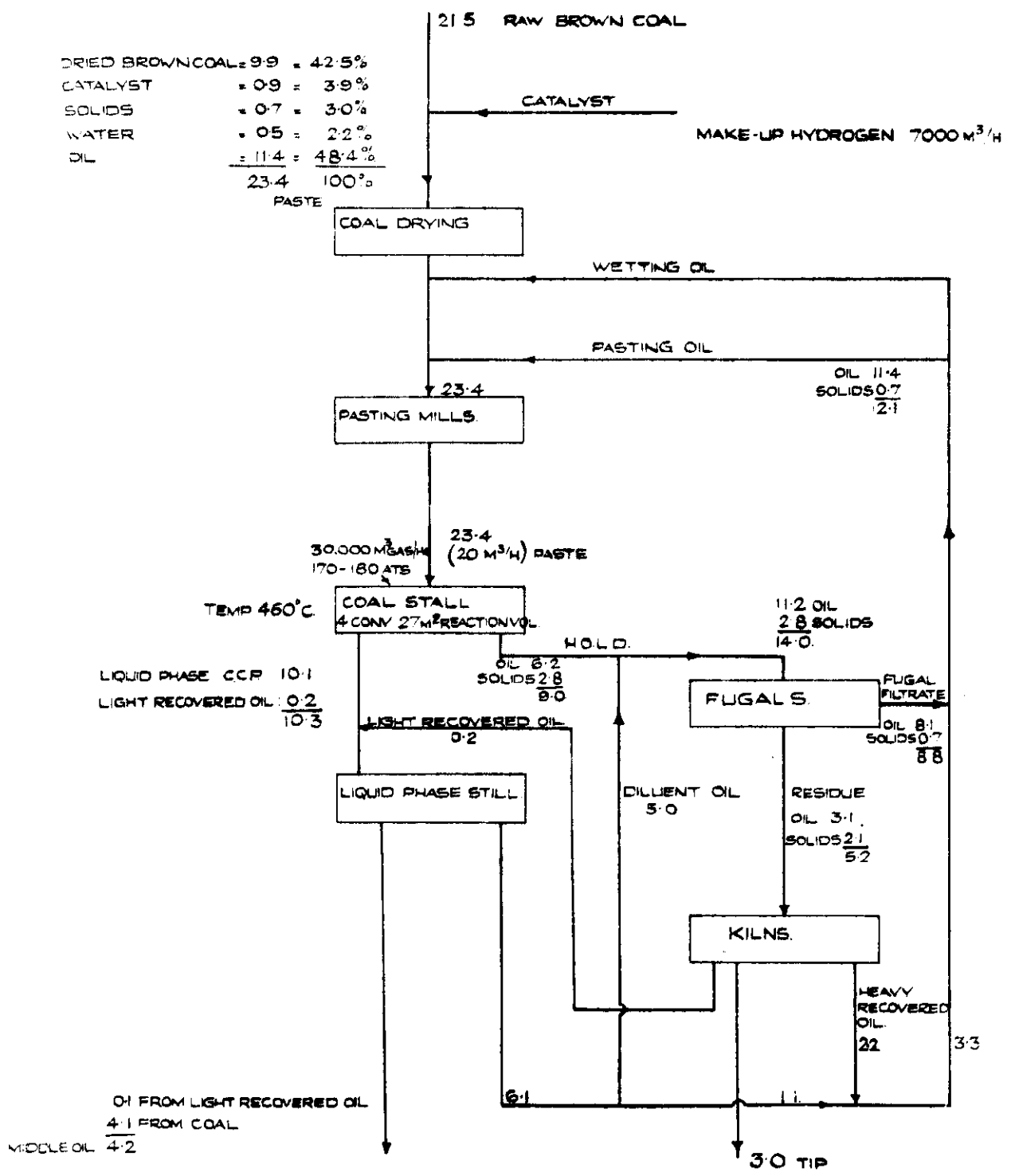


FIG III HYDROGENATION OF BROWN COAL 1939-1940  
 ALL QUANTITIES IN TONNES/HR EXCEPT WHERE STATED.

DRIED BROWN COAL	= 9.9	= 42.5%
CATALYST	= 0.9	= 3.9%
SOLIDS	= 0.7	= 3.0%
WATER	= 0.5	= 2.2%
OL	= 11.4	= 48.4%
	23.4	100%

PASTE



= 34,000 TNES/YR MIDDLE OIL EACH COAL STALL  
 (8,000 HRS/YR)

MAY 9TH 1945