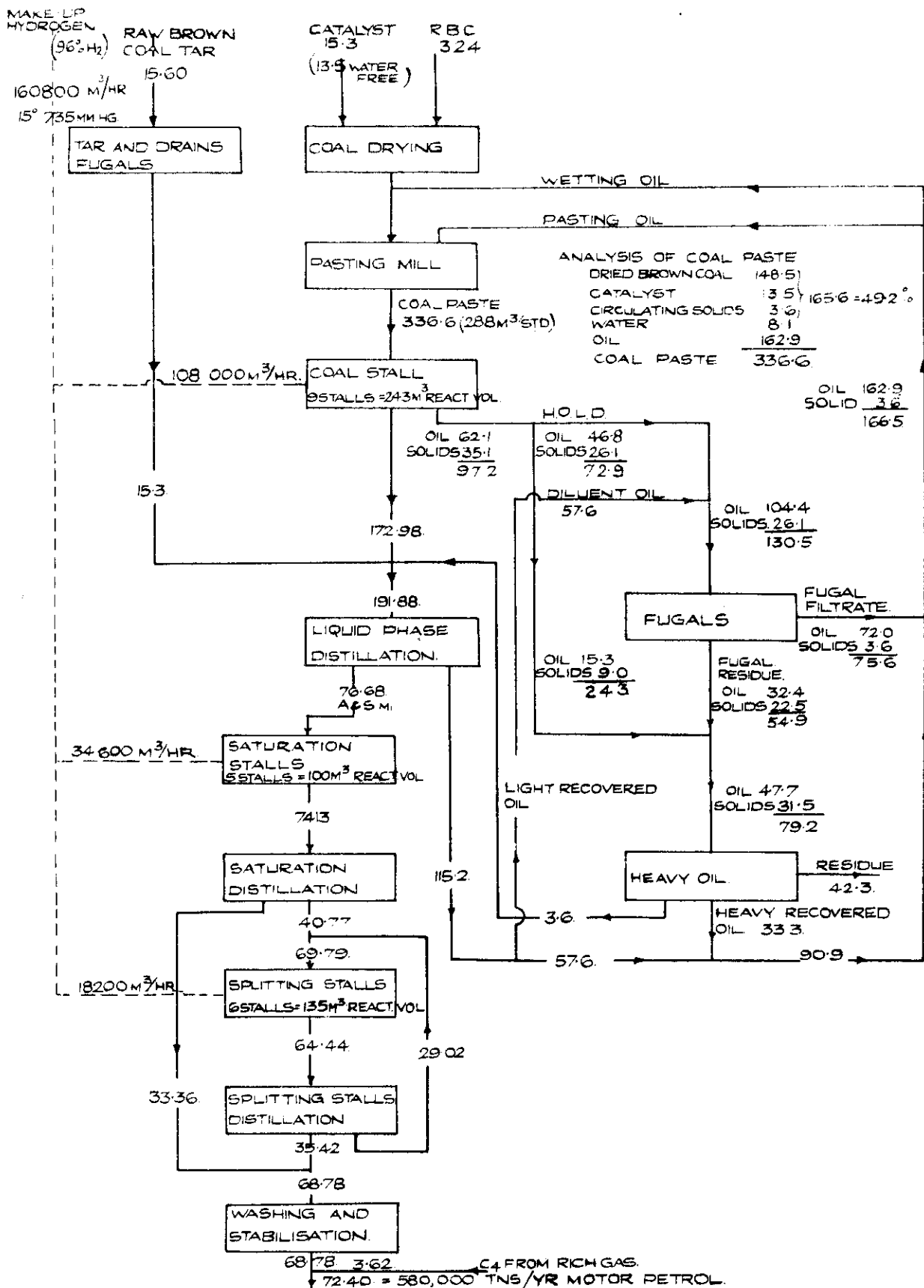


FIG VIII FLOWSHEET FOR MOTOR PETROL FROM BROWN COAL BY HYDROGENATION



ALL QUANTITIES IN TNES/HR UNLESS STATED
ALL FLUID PRODUCTS ARE GAS FREE BUT INCLUDE C₅